



Romancell Technology Co., Ltd.



Company Profile

Romancell Technology Co., Ltd. Is established in 1989. and since has grown into major mobile repetitor manufacturer.

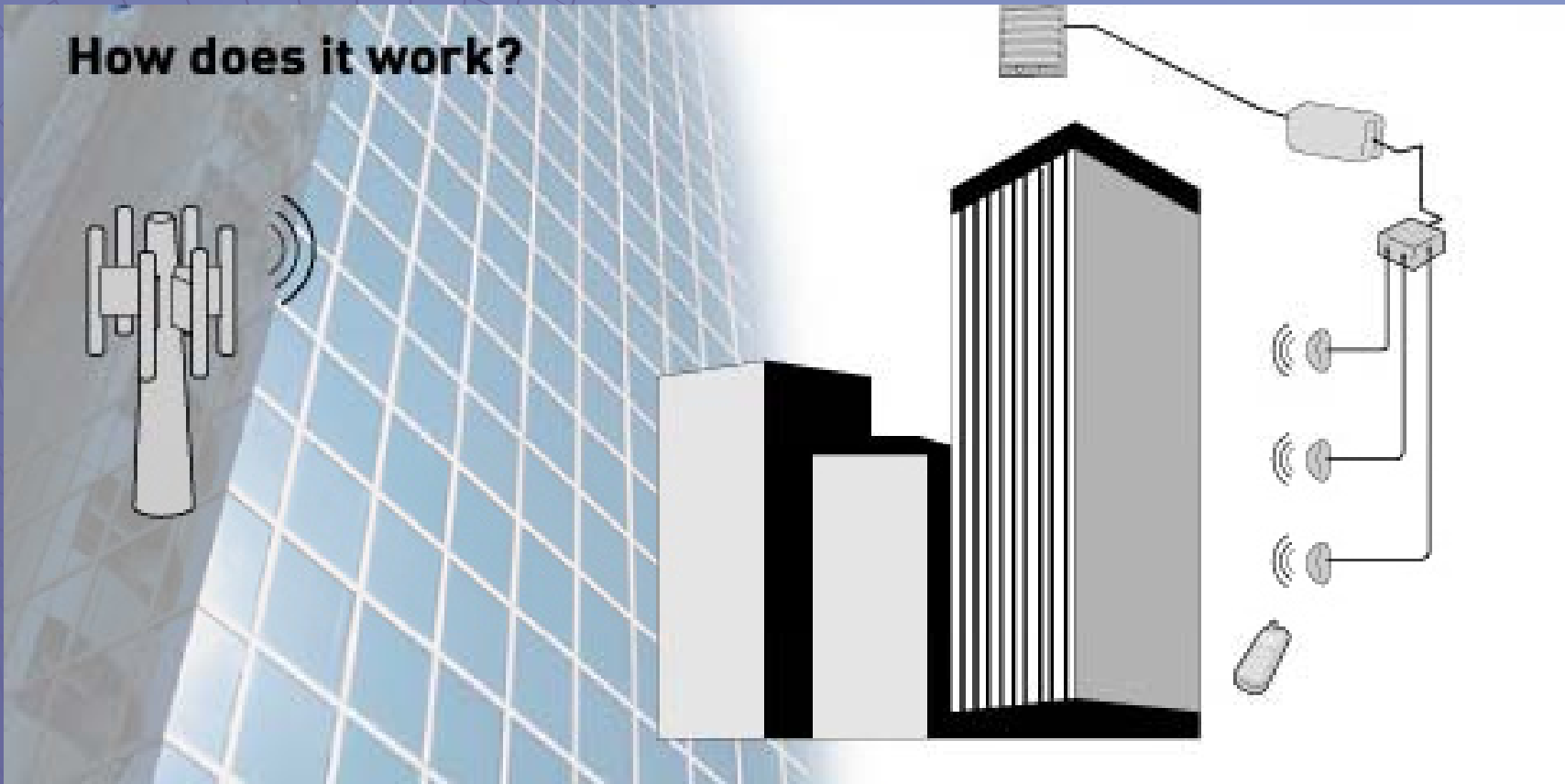
Over 20 years experience in design, installations, and manufacture gives us clear picture of our clients needs, modern solutions and combining those in a winning product combinations.

We have established our name by rigorous quality control and production standards, and we have capacity to grow into leading brand in our field.



Building Repeaters

How does it work?



Building Repeaters



- ◆ iDEN
- ◆ CDMA
- ◆ GSM
- ◆ DCS
- ◆ PCS
- ◆ UMTS

Specification iDen / CDMA / GSM

Model No.	BI 65/70/75	BC 65/70/75	BG 65/70/75	
Cell Phone System	iDEN	CDMA	GSM	
Frequency	Uplink	806-824MHz	824-849 MHz	890-915MHz
Range	Downlink	851-869 MHz	869-894 MHz	935-960MHz
Bandwidth	18 MHz	25 MHz	25MHz	
Service are (m2)	65 : 300-1000 m2 70 : 500-1500 m2 75 : 1000-3000 m2	65 : 300-1000 m2 70 : 500-1500 m2 75 : 1000-3000 m2	65 : 300-1000 m2 70 : 500-1500 m2 75 : 1000-3000 m2	
Gain	Uplink 65dB /Downlink 65dB Uplink 70dB /Downlink 70dB Uplink 75dB /Downlink 75dB			
Noise Figure	6.0dB			
RF Power Output	Uplink 20 dBm / Downlink 5dBm(65series) 10dBm(70series) 15dBm(75series)			
AGC Range	40 dB			
Power Supply	90-240 VAC i/p, 12.2V 1.0A o/p			
Size Dimensions (HxWxD)	4.1x9.7x24.0 cm			
	www.cordless4u.com			

Specification DCS / PCS / UMTS

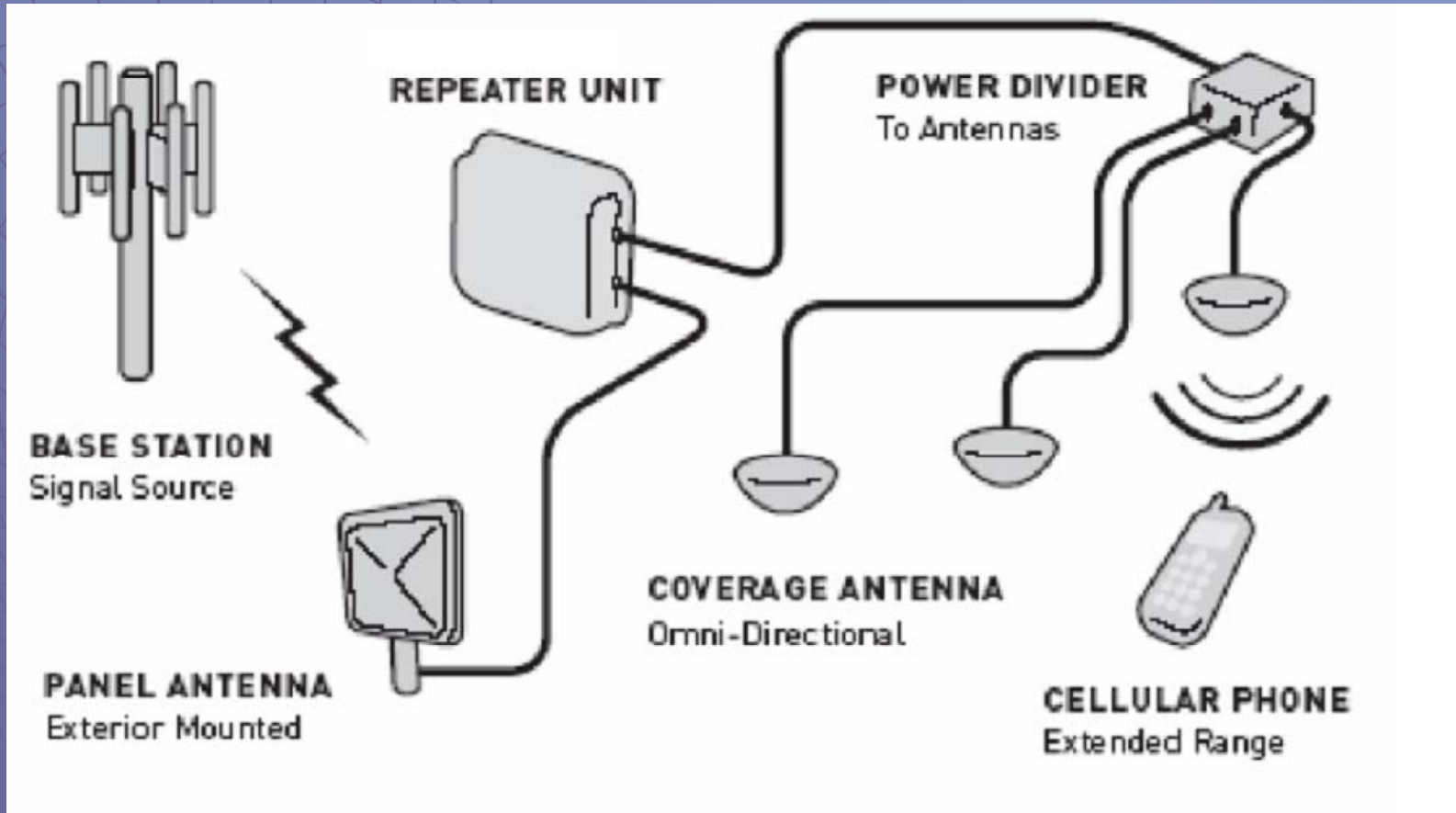
Model No.	BD65/70/75	BP 65/70/75	BU 65/70/75
Cell Phone System	DCS	PCS	UMTS
Frequency Range	Uplink	1710-1785MHz	1850-1910 MHz
	Downlink	1805-1880MHz	1930-1990 MHz
Bandwidth	75 MHz	60 MHz	60MHz
Service are (m2)	65 : 150-400 m2	65 : 150-400 m2	65 : 150-400 m2
	70 : 300-800 m2	70 : 300-800 m2	70 : 300-800 m2
	75 : 600-1600 m2	75 : 600-1600 m2	75 : 600-1600 m2
Gain	Uplink 65dB /Downlink 65dB Uplink 70dB /Downlink 70dB Uplink 75dB /Downlink 75dB		
Noise Figure	6.0dB		
RF Power Output	Uplink 20 dBm / Downlink 5dBm(65series) 10dBm(70series) 15dBm(75series)		
AGC Range	40 dB		
Power Supply	90-240 VAC i/p, 12.2V 1.0A o/p		
Size Dimensions (HxWxD)	4.1x9.7x24.0 cm		
	www.cordless4u.com		

DIY Kit Accessories



- ◆ Repeater main unit
- ◆ Out door panel antenna
- ◆ Indoor antenna
- ◆ A/C adaptor power supply (A/C power cord)
- ◆ Brackets for outdoor panel antenna
- ◆ Support bracket for main unit

Direction

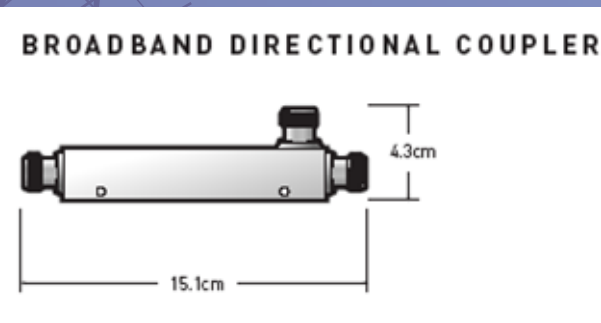


Features

- ◆ Built-in **AGC** circuit, *FREE of INTERERENCE*
- ◆ DIY kit, *EASY INSTALLATION* , adequate accessories included
- ◆ Suitable for Buildings, Hospitals, Hotels, parking lots, industry, oil and construction industry.
- ◆ 50/75 ohm coaxial cable compatible

Optional Accessories: Directional Coupler

RomanCell

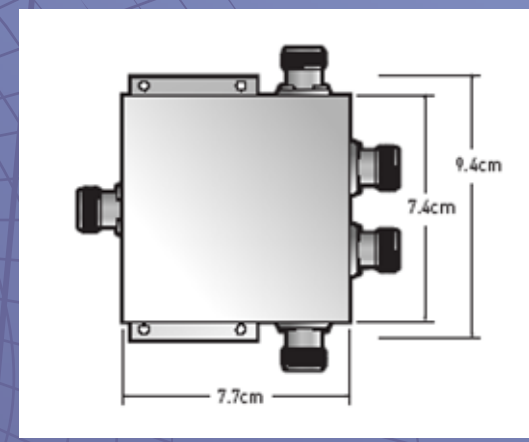
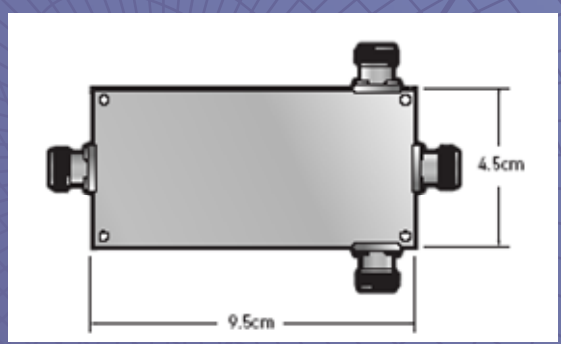
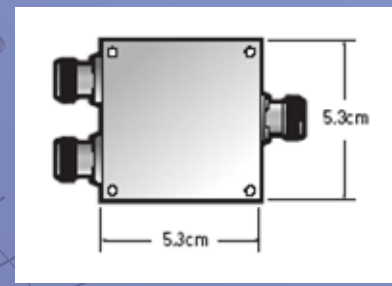


Optional Accessories

Couplers Specifications

Model No.	DC-6	DC-10	DC-15	DC-20
Frequency Range	800~2200MHz	800~2200MHz	800~2200MHz	800~2200MHz
Impedance	50ohm	50ohm	50ohm	50ohm
Flatness	$\leq \pm 1\text{dB}$	$\leq \pm 1\text{dB}$	$\leq \pm 1\text{dB}$	$\leq \pm 1\text{dB}$
Coupling Factor	6dB	10dB	15dB	20dB
Insertion Loss	$\leq 0.3\text{dB}$	$\leq 0.3\text{dB}$	$\leq 0.3\text{dB}$	$\leq 0.3\text{dB}$
V.S.W.R	$\leq 1.35:1$	$\leq 1.35:1$	$\leq 1.35:1$	$\leq 1.35:1$
Power Rating	10W	10W	10w	10W
Size Dimensions	43x151x20cm (HxWxD)	43x151x20cm (HxWxD)	43x151x20cm (HxWxD)	43x151x20cm (HxWxD)

Optional Accessories: Wide band 2way/3way/4way splitter



Optional Accessories

Divider Specifications

Model No.	PD-210	PD-310	PD-410
Frequency Range	800~2200MHz	800~2200MHz	800~2200MHz
Impedance	50ohm	50ohm	50ohm
Divider Factor	1:2	1:3	1:4
Divider Loss	3.0dB	4.8dB	6.0dB
Insertion Loss	$\leq 0.3\text{dB}$	$\leq 0.3\text{dB}$	$\leq 0.3\text{dB}$
Inbalance	Amplitude: $\leq 0.3\text{dB}$ Phase: $\leq 5^\circ\text{C}$	Amplitude: $\leq 0.3\text{dB}$ Phase: $\leq 5^\circ\text{C}$	Amplitude: $\leq 0.3\text{dB}$ Phase: $\leq 5^\circ\text{C}$
V.S.W.R	1.35:1	1.35:1	1.35:1
Power Rating	10W	10W	10w
Size Dimensions (HxWxD)	2.0x5.8x9.8cm 0.8x2.3x3.9in	2.0x8.5x13.5cm 0.8x3.3x5.3in	2.9x11.4x11.6cm 0.8x4.5x4.6in